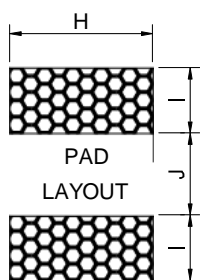
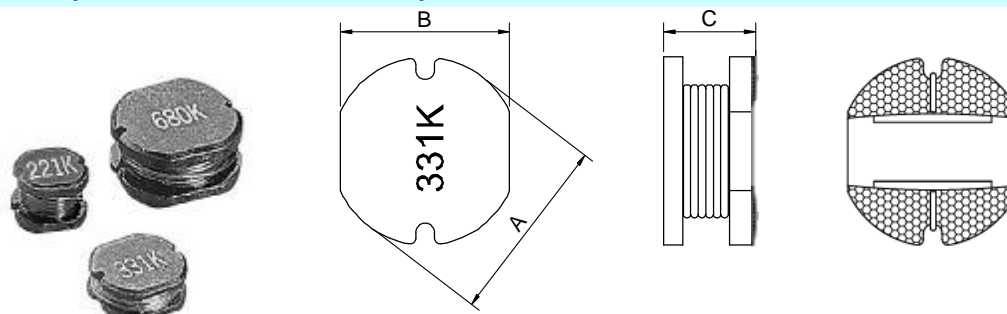


Shape and Size : (Dimensions are in mm)


3L P / N	A	B	C	H	I	J
SMTDR31	3.5±0.3	3.0±0.3	1.1±0.2	3.5	1.6	0.8
SMTDR32	3.5±0.3	3.0±0.3	2.0±0.3	3.5	1.6	0.8
SMTDR43	4.5±0.3	4.0±0.3	3.2±0.3	4.5	1.75	1.5
SMTDR52	5.8±0.3	5.2±0.3	2.5±0.3	5.5	2.15	1.7
SMTDR53	5.8±0.3	5.2±0.3	3.0±0.3	5.5	2.15	1.7
SMTDR54	5.8±0.3	5.2±0.3	4.5±0.35	5.5	2.15	1.7
SMTDR73	7.8±0.3	7.0±0.3	3.5±0.5	7.5	3.0	2.0
SMTDR75	7.8±0.3	7.0±0.3	5.0±0.5	7.5	3.0	2.0
SMTDR104	10.0±0.3	9.0±0.3	4.0±0.5	9.5	3.75	2.5
SMTDR105	10.0±0.4	9.0±0.4	5.4±0.4	9.5	3.75	2.5

Features :

- Silver Plated Type, Low cost design.
- High power, High saturation inductors.
- Ideal inductors for DC-DC conversion.
- Available on tape and reel for auto surface mounting.

Ordering Information :
SMT DR105 - 331 K

(1) (2) (3) (4)

(1)Type : **Surface Mountable Type** .

(2)Style : **DR Core** : **OD=10mm, HT=5.4mm.**

(3)Inductance : **331** for **330** uH.

(4)Inductance tolerance : "**M**": ±20%; "**L**": ±15%; "**K**": ±10%

Inductance and rated current ranges :

· SMTDR31	2.2 ~ 27.0uH	1.2 ~ 0.36A
· SMTDR32	1.0 ~ 330uH	2.2 ~ 0.09A
· SMTDR43	1.0 ~ 68uH	2.56 ~ 0.37A
· SMTDR52	1.2 ~ 220uH	4.2 ~ 0.15A
· SMTDR53	1.0 ~ 150uH	4.5 ~ 0.43A
· SMTDR54	10 ~ 220uH	1.44 ~ 0.35A
· SMTDR73	10 ~ 330uH	1.44 ~ 0.28A
· SMTDR75	10 ~ 470uH	2.30 ~ 0.34A
· SMTDR104	10 ~ 560uH	2.38 ~ 0.32A
· SMTDR105	10 ~ 820uH	2.60 ~ 0.24A

Characteristics :

- Rated DC Current: It is either the inductance is 10% lower than its initial value in D.C. saturation characteristics or temperature raise becomes $\Delta T=40^{\circ}\text{C}$ ($T_a=20^{\circ}\text{C}$), whichever is lower.
- Operating temperature : -20°C to 80°C .

Applications :

- Power supply for VTRs.
- LCD televisions.
- Notebook PCs.
- Portable communication equipment.
- DC/DC converters, etc.

Test equipments :

- L : Agilent 4284A or Agilent 4285A LCR meter.
- DCR tested by Milli-ohm meter.
- Electrical specifications at 25°C .

Part No.	Inductance	Test Freq.	DCR	Rated
	L (uH)	(@ 0.1V)	OHM Max.	Current (A) Max.
SMTDR31-2R2M	2.2	100 KHz	0.24	1.20
SMTDR31-3R3M	3.3	100 KHz	0.27	1.08
SMTDR31-4R7M	4.7	100 KHz	0.30	1.00
SMTDR31-6R8M	6.8	100 KHz	0.47	0.80
SMTDR31-8R2M	8.2	100 KHz	0.52	0.76
SMTDR31-100M	10.0	100 KHz	0.55	0.70
SMTDR31-120M	12.0	100 KHz	0.75	0.60
SMTDR31-150M	15.0	100 KHz	0.91	0.50
SMTDR31-220M	22.0	100 KHz	1.20	0.40
SMTDR31-270M	27.0	100 KHz	1.50	0.36

Part No.	L (uH)	DC resistance (OHM) Max.					Rated DC current (Amp) Max.				
		DR32	DR43	DR52	DR53	DR54	DR32	DR43	DR52	DR53	DR54
1R0	1.0	0.045	0.0487		0.03		2.20	2.56		4.50	
1R2	1.2	0.050		0.050	0.03		2.10		4.20	4.20	
1R4	1.4		0.0562					2.52			
1R5	1.5	0.055		0.060	0.03		1.70		4.00	4.10	
1R8	1.8	0.070	0.0637	0.065	0.03		1.65	1.95	3.70	3.70	
2R2	2.2	0.085	0.0712	0.07	0.03		1.60	1.75	3.50	3.50	
2R7	2.7	0.100	0.0787	0.08	0.04		1.40	1.58	3.20	3.20	
3R3	3.3	0.120	0.0862	0.10	0.05		1.04	1.44	2.70	2.80	
3R9	3.9	0.125	0.0937	0.12	0.06		1.00	1.33	2.40	2.60	
4R7	4.7	0.135	0.1087	0.14	0.07		1.00	1.15	2.00	2.50	
5R6	5.6	0.145	0.1257	0.15	0.08		0.95	0.99	1.80	2.40	
6R8	6.8	0.20	0.1312	0.16	0.09		0.95	0.95	1.50	2.20	
8R2	8.2	0.25	0.1462	0.17	0.10		0.92	0.84	1.40	2.00	
100	10.0	0.32	0.182	0.20	0.13	0.10	0.90	1.04	1.30	1.80	1.44
120	12.0	0.35	0.210	0.23	0.16	0.12	0.85	0.97	1.10	1.75	1.40
150	15.0	0.46	0.235	0.25	0.19	0.14	0.75	0.85	1.05	1.70	1.30
180	18	0.52	0.338	0.30	0.21	0.15	0.70	0.74	1.00	1.60	1.23
220	22	0.65	0.378	0.35	0.28	0.18	0.60	0.68	0.90	1.50	1.11
270	27	0.75	0.522	0.40	0.32	0.20	0.55	0.62	0.85	1.40	0.97
330	33	0.92	0.540	0.50	0.38	0.23	0.50	0.56	0.75	1.10	0.88
390	39	1.12	0.587	0.55	0.42	0.32	0.48	0.52	0.70	1.00	0.80
470	47	1.27	0.844	0.65	0.52	0.37	0.45	0.44	0.60	0.90	0.72
560	56	1.50	0.937	0.75	0.56	0.42	0.30	0.42	0.55	0.85	0.68
680	68	2.00	1.117	0.95	0.68	0.46	0.26	0.37	0.50	0.80	0.61
820	82	2.15		1.20	0.82	0.60	0.23		0.45	0.65	0.58
101	100	2.80		1.40	1.10	0.70	0.20		0.40	0.60	0.52
121	120	3.40		1.75	1.20	0.93	0.18		0.35	0.58	0.48
151	150	4.20		2.00	1.50	1.10	0.16		0.25	0.43	0.40
181	180	4.50		2.60	1.80	1.38	0.15		0.22	0.41	0.38
221	220	5.70		3.00	2.00	1.57	0.14		0.20	0.38	0.35
271	270	8.50		3.70	2.90		0.10		0.18	0.35	
331	330	9.50		4.30	3.30		0.09		0.17	0.28	
391	390			6.00	3.70				0.16	0.260	
471	470			6.70	4.90				0.15	0.200	

Measuring Frequency :

1.0~8.2uH @ 7.96MHz 0.25V; 10~82uH @ 2.52MHz 0.25V; 100~470uH @ 1kHz 0.25V

Tolerance of Inductance :

SMTDR32	1.0~18uH (M) ± 20%;	22~330uH (K) ± 10%.	SMTDR43	1.0~27uH (M) ± 20%;	33~68uH (K) ± 10%.
SMTDR52	1.2~18uH (M) ± 20%;	22~470uH (K) ± 10%.	SMTDR53	1.0~18uH (M) ± 20%;	22~470uH (K) ± 10%.
SMTDR54	10~27uH (M) ± 20%; 33~220uH (K) ± 10%.				

Part No.	L (μ H)	DC resistance (OHM) Max.				Rated DC current (Amp) Max.			
		DR73	DR75	DR104	DR105	DR73	DR75	DR104	DR105
100	10	0.0803	0.07	0.053	0.06	1.44	2.30	2.38	2.60
120	12	0.0897	0.08	0.061	0.07	1.39	2.00	2.13	2.45
150	15	0.104	0.09	0.070	0.08	1.24	1.80	1.87	2.27
180	18	0.111	0.10	0.081	0.09	1.12	1.60	1.73	2.15
220	22	0.129	0.11	0.088	0.10	1.07	1.50	1.60	1.95
270	27	0.153	0.12	0.100	0.11	0.94	1.30	1.44	1.76
330	33	0.170	0.13	0.120	0.12	0.85	1.20	1.26	1.50
390	39	0.217	0.16	0.151	0.14	0.74	1.10	1.20	1.37
470	47	0.252	0.18	0.170	0.17	0.68	1.10	1.10	1.28
560	56	0.282	0.24	0.199	0.19	0.64	0.94	1.01	1.17
680	68	0.332	0.28	0.223	0.22	0.59	0.85	0.91	1.11
820	82	0.406	0.37	0.252	0.25	0.54	0.78	0.85	1.00
101	100	0.481	0.43	0.344	0.35	0.51	0.72	0.74	0.97
121	120	0.536	0.47	0.396	0.40	0.49	0.66	0.69	0.89
151	150	0.755	0.64	0.544	0.47	0.40	0.58	0.61	0.78
181	180	1.022	0.71	0.621	0.63	0.36	0.51	0.56	0.72
221	220	1.200	0.96	0.721	0.73	0.31	0.49	0.53	0.66
271	270	1.306	1.11	0.949	0.97	0.29	0.42	0.45	0.57
331	330	1.495	1.26	1.100	1.15	0.28	0.40	0.42	0.52
391	390		1.77	1.245	1.30		0.36	0.38	0.48
471	470		1.96	1.526	1.48		0.34	0.35	0.42
561	560			1.904	1.90			0.32	0.33
681	680				2.25				0.28
821	820				2.55				0.24

Measuring Frequency :

 10~82 μ H @ 2.52MHz 0.25V; 100~330 μ H @ 1kHz 0.25V

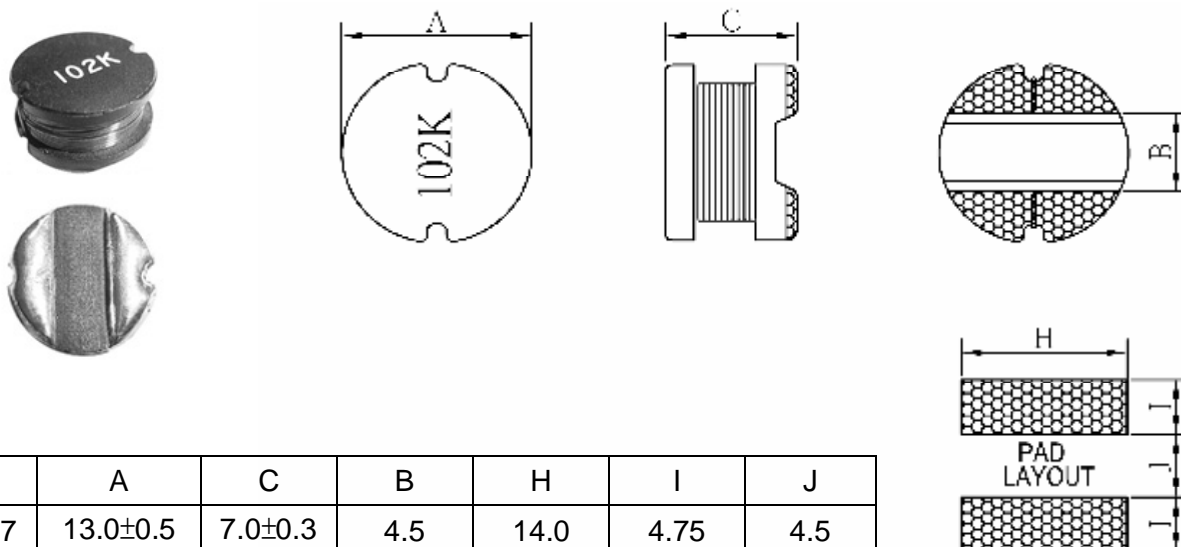
Tolerance of Inductance :

 SMTDR73 10~470 μ H (K) \pm 10%; 56~330 μ H (K) \pm 10%.

 SMTDR75 10~470 μ H (K) \pm 10%.

 SMTDR104 10~47 μ H (M) \pm 20%; 56~560 μ H (K) \pm 10%.

 SMTDR105 10~39 μ H (M) \pm 20%; 47~820 μ H (K) \pm 10%.

Shape and size: (Dimensions are in mm)


ITEM	A	C	B	H	I	J
SMTDR137	13.0±0.5	7.0±0.3	4.5	14.0	4.75	4.5

Features:

- Silver plated type, low cost design.
- High power, high saturation inductors.
- Ideal inductors for DC-DC conversion.
- Available on tape and reel for auto surface mounting.

Ordering information:

SMT DR137 - 102 K

(1) (2) (3) (4)

- (1) Type: **Surface Mounting Type**.
- (2) Style: **DR Core** : **OD=13.0mm, HT=7.0mm**.
- (3) Inductance: **102for1000uH**.
- (4) Inductance tolerance:
M: ± 20%; L: ±15%; K: ±10%

Inductance and rated current ranges:

· SMTDR137 1.5~1000uH 9.5~0.65A

Test equipments:

L tested by HP4284A LCR meter @ 100KHz 0.1V.

DCR tested by Milli-ohm meter.

· Electrical specifications at 25°C.

Characteristics:

- I sat: The current when the inductance becomes 10% lower than its initial value. (Ta=20°C)
- I rms: The current when temperature of coil increases up to Max. $\Delta T=40^\circ C$. (Ta=20°C)
- Operating temperature : -20 °C to 80 °C.

Applications:

- Power supply for VTRs.
- LCD televisions.
- Notebook PCs.
- portable communication equipment.
- DC/DC converters, etc.

Part No.	Inductance	Test Freq.	DCR	Rated Current	
	L (uH)	(@ 0.1V)	moHM Max.	(A) Max. Irms	Isat
SMTDR137-1R5M	1.5	100 KHz	5.0	9.50	22.0
SMTDR137-2R2M	2.2	100 KHz	8.0	9.00	20.0
SMTDR137-2R7M	2.7	100 KHz	8.0	8.20	18.0
SMTDR137-3R3M	3.3	100 KHz	8.7	7.50	17.0
SMTDR137-4R7M	4.7	100 KHz	11.8	7.00	15.0
SMTDR137-5R6M	5.6	100 KHz	15.0	6.50	13.0
SMTDR137-6R8M	6.8	100 KHz	17.0	6.00	11.5
SMTDR137-8R2M	8.2	100 KHz	19.0	5.80	10.8
SMTDR137-100M	10.0	100 KHz	23.0	5.60	10.2
SMTDR137-120M	12.0	100 KHz	30.0	4.80	9.00
SMTDR137-150M	15.0	100 KHz	34.0	4.50	8.00
SMTDR137-180M	18.0	100 KHz	40.0	4.20	7.50
SMTDR137-220M	22.0	100 KHz	52.0	3.60	7.00
SMTDR137-270M	27.0	100 KHz	60.0	3.30	6.00
SMTDR137-330K	33.0	100 KHz	70.0	3.10	5.50
SMTDR137-390K	39.0	100 KHz	75.0	2.90	5.10
SMTDR137-470K	47.0	100 KHz	82.0	2.70	4.70
SMTDR137-560K	56.0	100 KHz	112.0	2.50	4.30
SMTDR137-680K	68.0	100 KHz	135.0	2.30	4.00
SMTDR137-820K	82.0	100 KHz	140.0	2.10	3.70
SMTDR137-101K	100.0	100 KHz	180.0	1.90	3.20
SMTDR137-121K	120.0	100 KHz	230.0	1.80	3.0
SMTDR137-151K	150.0	100 KHz	260.0	1.60	2.70
SMTDR137-181K	180.0	100 KHz	350.0	1.50	2.40
SMTDR137-221K	220.0	100 KHz	380.0	1.30	2.20
SMTDR137-271K	270.0	100 KHz	480.0	1.20	1.90
SMTDR137-331K	330.0	100 KHz	520.0	1.10	1.70
SMTDR137-391K	390.0	100 KHz	650.0	1.00	1.60
SMTDR137-471K	470.0	100 KHz	800.0	0.90	1.50
SMTDR137-561K	560.0	100 KHz	1100.0	0.85	1.30
SMTDR137-681K	680.0	100 KHz	1150.0	0.80	1.20
SMTDR137-821K	820.0	100 KHz	1600.0	0.75	1.10
SMTDR137-102K	1000.0	100 KHz	1700.0	0.65	1.00